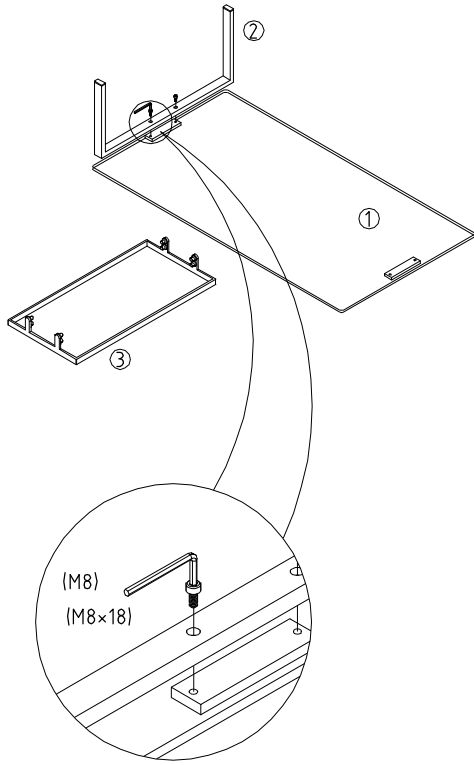
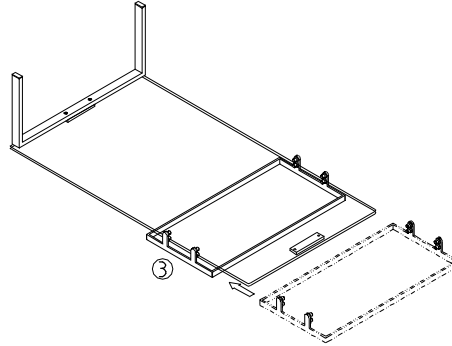


# Assembly instruction: 8151-CT

## STEP 1



## STEP 2



A (M8x18)X4



B (M8)X1



① X1



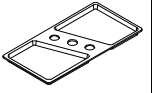
② X2



③ X1



④ X1



## STEP 3

